

Embedded Systems

NEW

VIA

vm7700

Ultra-slim VESA Mount
Embedded System



Features

- VIA UniChrome™ Pro II 3D/2D AGP graphics with MPEG-2/4 and WMV9 decoding acceleration
- Supports Gigabit Ethernet and optional Wireless LAN 802.11b/g
- Supports DVI-D, VGA and S-Video (Dual View supported)
- Supports one COM port
- Supports four USB 2.0
- VESA mount design
- Completely fanless



Specifications

Model Name	vm7700-C10	vm7700-E15
Processor	VIA C7® 1.0GHz NanoBGA2	VIA Eden™ ULV 1.5GHz NanoBGA2
Chipset	VIA CX700M2 Unified Digital Media IGP chipset	
System Memory	1 x DDR2 533 SODIMM socket Up to 1GB memory size	
VGA	VIA UniChrome™ Pro II 3D/2D AGP graphics with MPEG-2/4 and WMV9 decoding acceleration	
Network	VIA VT6122 Gigabit Ethernet	
Storage	1 x 2.5" IDE HDD or DOM (Disk On Module)	
Onboard Audio	VIA VT1708A High Definition Audio Codec	
System I/O	1 x 15-pin D-Sub connector for VGA (default display) 1 x S-Video connector (share with VGA; select by jumper) 1 x DVI-D connector 1 x 9-pin D-Sub connector for RS232 4 x USB connectors 3 x Audio jacks: Line-out, Line-in and Mic-in 1 x RJ11 (for optional IR function) 1 x DC 12V connector 1 x PS2 mouse port 1 x PS2 keyboard port 1 x RJ45 connector for Gigabit Ethernet 1 x Antenna hole (for optional WLAN module) 1 x Power button 1 x Reset button	
System Indicator	1 x Orange LED for system power-on 1 x Blue LED for HDD active 1 x Orange LED for IR Rx/Tx 1 x Blue LED for system stand-by	
Operating Temperature	0°C - 45°C	
Operating Humidity	0% ~ 90% (relative humidity; non-condensing)	
Power supply	AC input: 100~240Vac Auto-range DC output: 12V/5A	
System Monitoring & Management	Watch Dog Timer, Wake-on LAN, Keyboard Power-on, Timer Power-on ACPI supported, AC power failure recovery	
Operating System	Windows 2000/XP, Linux, Win CE, XPe	
BIOS	Award BIOS 4/8Mbit flash memory	
Certification	CE & FCC	
Dimension	18 cm (W) x 29.8 cm (L) x 2.7 cm (H)	
Weight	2Kg	
VESA Specification	10 cm x 10 cm	

System I/O



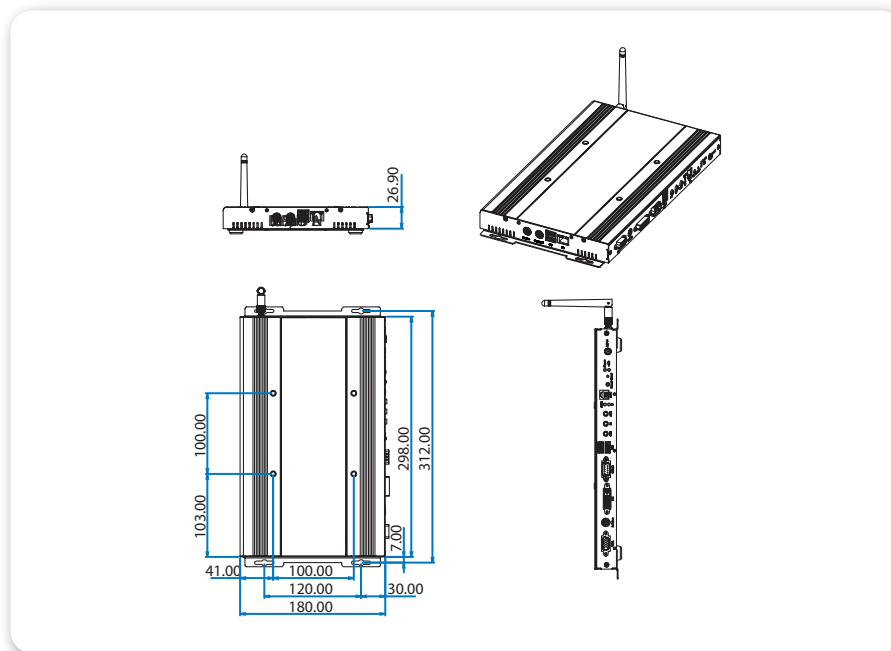
Ordering Information

Model Name	CPU Frequency	Description
vmc vm7700-C10	C7® 1.0GHz	VESA Mounting Compliant Embedded System with C7® 1.0GHz, COM, USB, DVI-D, VGA, S-video, GigaLAN
vmc vm7700-E15	Eden™ ULV 1.5GHz	VESA Mounting Compliant Embedded System with Eden™ ULV 1.5GHz, COM, USB, DVI-D, VGA, S-video, GigaLAN

Optional Items

Item	Description
Wireless LAN kit	Internal USB WLAN Module with Antenna Supporting IEEE802.11b/g
Remote control kit	1 x IR Receiver with RJ11 Interface and 1 x Remote Controller

Dimensions



Packing List

- 1 x Driver CD
- 1 x Power cord/ 60W AC adapter
- 1 x Wall mount kit
- 4 x MIS-D screw
- 1 x Wireless antenna (optional)